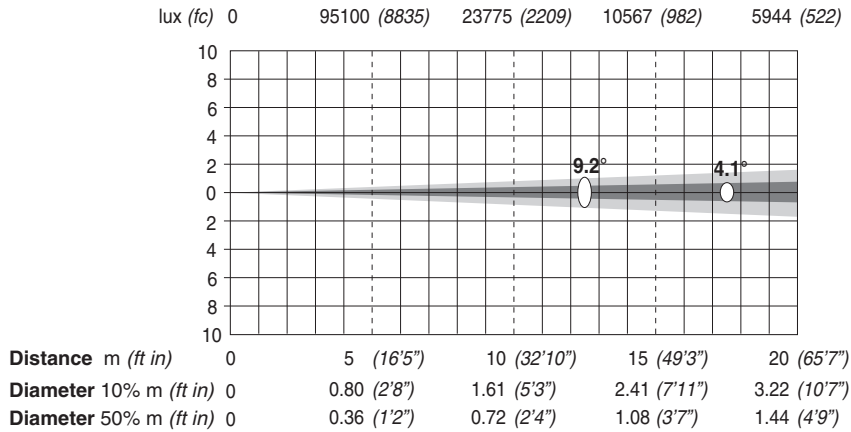


**ALPHA WASH 700**

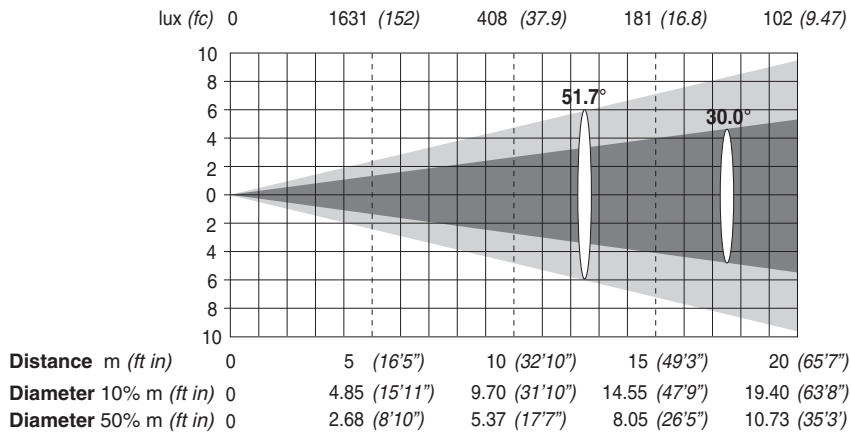
**Legenda** Diameter 10%-50%: valori del diametro del fascio luminoso corrispondenti al 10% e 50% dell'illuminamento massimo.  
**Key** Diameter 10%-50%: beam diameter for 10% and 50% of maximum illumination.  
**Légende** Diameter 10%-50%: valeurs du diamètre du faisceau lumineux correspondant à 10% et 50% de l'éclairage maximum.  
**Legende** Diameter 10%-50%: Lichtkreis-Durchmesser bei 10% bzw. 50% maximaler Ausleuchtung.  
**Leyenda** Diameter 10%-50%: valores del diámetro del haz luminoso correspondientes al 10% y 50% de la iluminación máxima.

**FULL POWER MODE (700 W)**

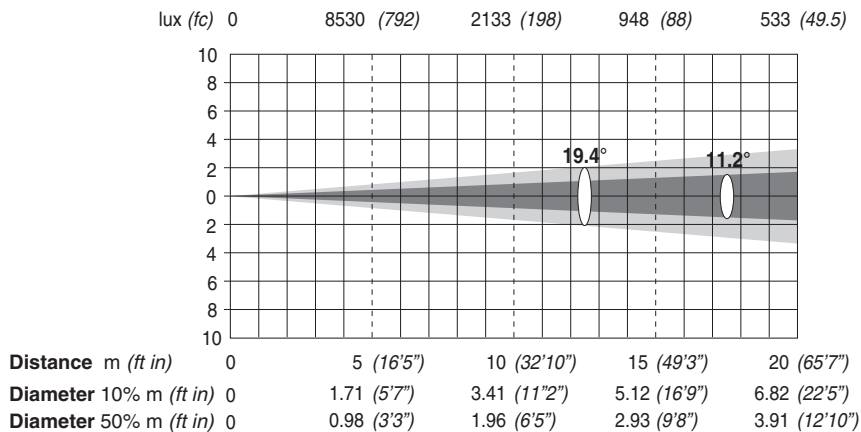
**Minimum Zoom (4,1° 50% - 9,2° 10%) - 700 W**



**Maximum Zoom (30,0° 50% - 51,7° 10%) - 700 W**



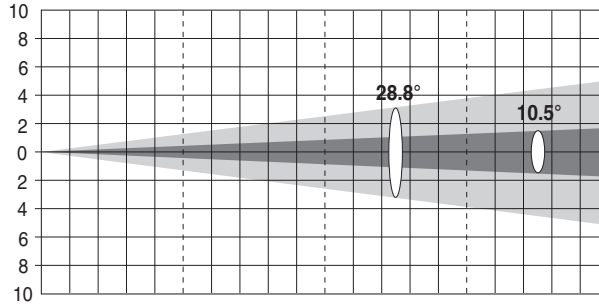
**Minimum Zoom with frost (11,2° 50% - 19,4° 10%) - 700 W**



# ALPHA WASH 700

## Minimum zoom with ovalizer filter (X axis) - 700 W

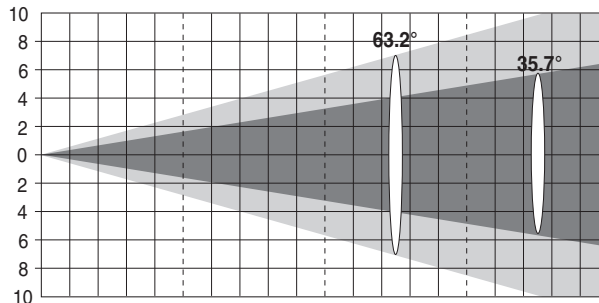
lux (fc) 0 13000 (1208) 3250 (302) 1444 (134) 813 (75,5)



<b>Distance</b> m (ft in)	0	5 (16'5")	10 (32'10")	15 (49'3")	20 (65'7")
<b>Diameter 10% m (ft in)</b>	0	2.57 (8'5")	5.14 (16'10")	7.70 (25'3")	10.27 (33'8")
<b>Diameter 50% m (ft in)</b>	0	0.92 (3'0")	1.84 (6'1")	2.76 (9'1")	3.68 (12'1")

## Maximum zoom with ovalizer filter (X axis) - 700 W

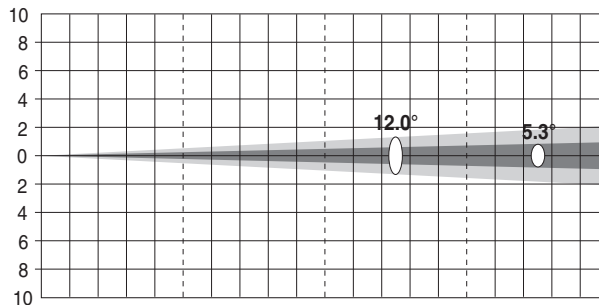
lux (fc) 0 605 (56.2) 151 (14) 67 (6.24) 38 (3.51)



<b>Distance</b> m (ft in)	0	5 (16'5")	10 (32'10")	15 (49'3")	20 (65'7")
<b>Diameter 10% m (ft in)</b>	0	6.15 (20'2")	12.30 (40'4")	18.45 (60'6")	24.60 (80'9")
<b>Diameter 50% m (ft in)</b>	0	3.22 (10'7")	6.44 (21'2")	9.67 (31'9")	12.89 (42'3")

## Minimum zoom with ovalizer filter (Y axis) - 700 W

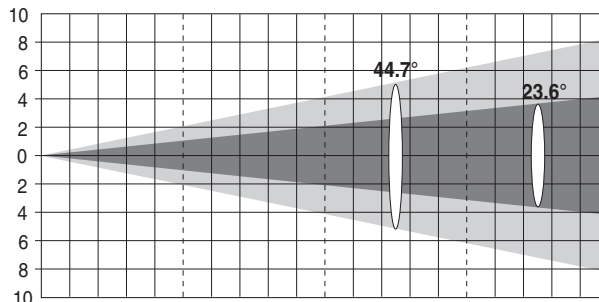
lux (fc) 0 13000 (1208) 3250 (302) 1444 (134) 813 (75.5)



<b>Distance</b> m (ft in)	0	5 (16'5")	10 (32'10")	15 (49'3")	20 (65'7")
<b>Diameter 10% m (ft in)</b>	0	1.05 (3'5")	2.11 (6'11")	3.16 (10'4")	4.21 (13'10")
<b>Diameter 50% m (ft in)</b>	0	0.47 (1'6")	0.93 (3'1")	1.40 (4'7")	1.87 (6'2")

## Maximum zoom with ovalizer filter (Y axis) - 700 W

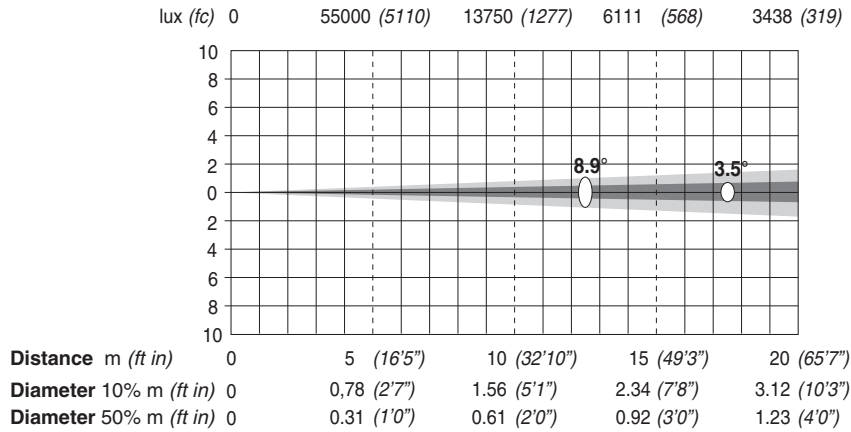
lux (fc) 0 605 (56.2) 151 (14) 67 (6.24) 38 (3.51)



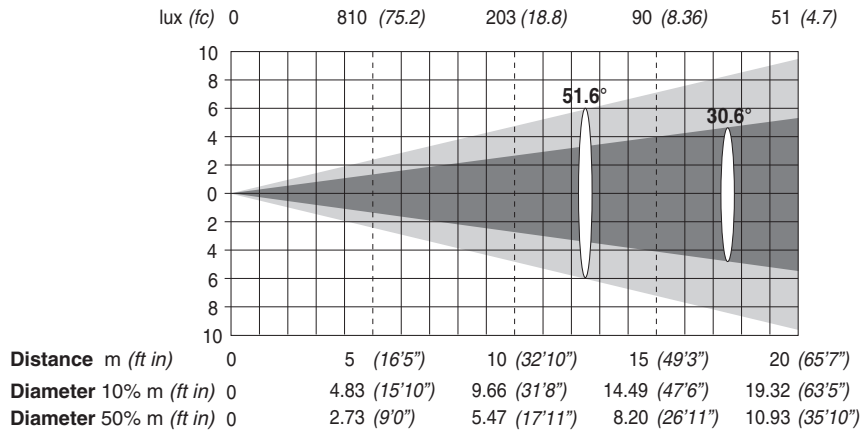
<b>Distance</b> m (ft in)	0	5 (16'5")	10 (32'10")	15 (49'3")	20 (65'7")
<b>Diameter 10% m (ft in)</b>	0	4.11 (13'6")	8.23 (27'0")	12.34 (40'6")	16.45 (54'0")
<b>Diameter 50% m (ft in)</b>	0	2.09 (6'10")	4.17 (13'8")	6.26 (20'6")	8.34 (27'4")

## HALF-POWER MODE (400 W)

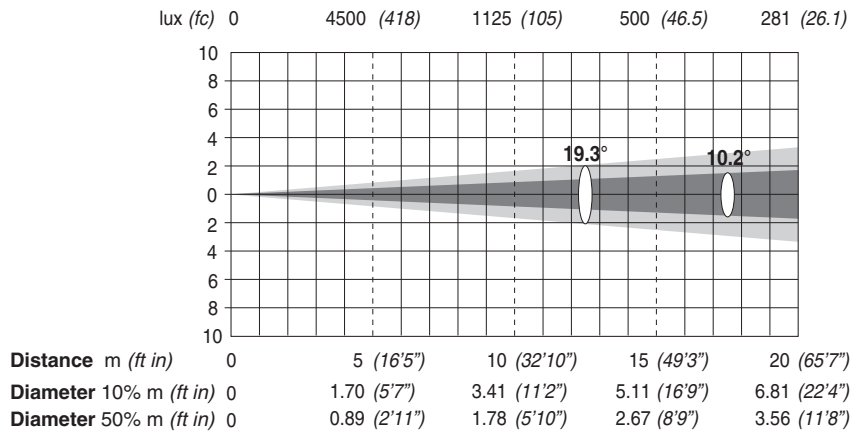
### Minimum Zoom (3,5° 50% - 8,9° 10%) - 400 W



### Maximum Zoom (30,6° 50% - 51,6° 10%) - 400 W



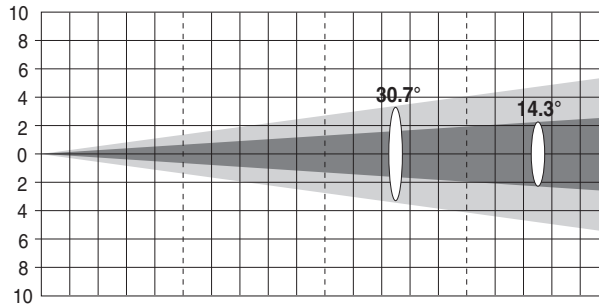
### Minimum Zoom with frost (10,2° 50% - 19,3° 10%) - 400 W



# ALPHA WASH 700

## Minimum zoom with ovalizer filter (X axis) - 400 W

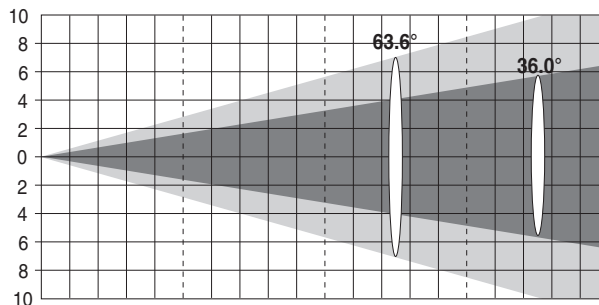
lux (fc) 0 5670 (527) 1418 (132) 630 (58.5) 354 (32.9)



<b>Distance</b> m (ft in)	0	5 (16'5")	10 (32'10")	15 (49'3")	20 (65'7")
<b>Diameter 10% m</b> (ft in)	0	2.74 (9'0")	5.48 (18'0")	8.23 (27'0")	10.97 (36'0")
<b>Diameter 50% m</b> (ft in)	0	1.25 (4'1")	2.50 (8'2")	3.75 (12'4")	5.00 (16'5")

## Maximum zoom with ovalizer filter (X axis) - 400 W

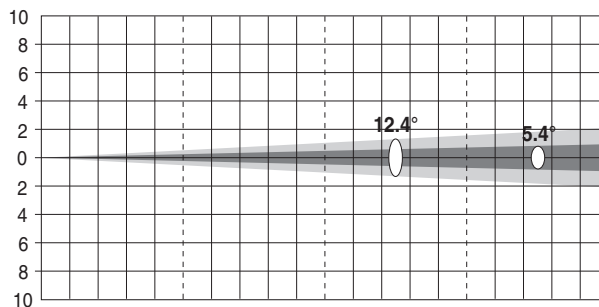
lux (fc) 0 317 (29.4) 79 (7.36) 35 (3.27) 20 (1.84)



<b>Distance</b> m (ft in)	0	5 (16'5")	10 (32'10")	15 (49'3")	20 (65'7")
<b>Diameter 10% m</b> (ft in)	0	6.20 (20'4")	12.40 (40'8")	18.60 (61'0")	24.80 (81'4")
<b>Diameter 50% m</b> (ft in)	0	3.25 (10'8")	6.50 (21'4")	9.76 (32'0")	13.01 (42'8")

## Minimum zoom with ovalizer filter (Y axis) - 400 W

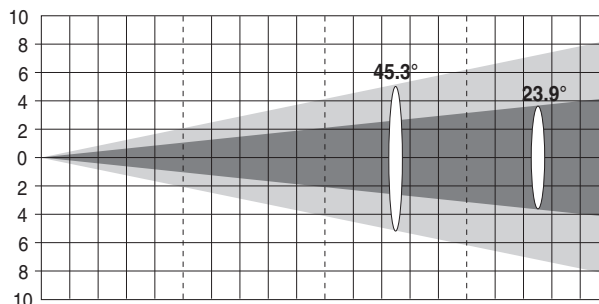
lux (fc) 0 5670 (527) 1418 (132) 630 (58.5) 354 (32.9)



<b>Distance</b> m (ft in)	0	5 (16'5")	10 (32'10")	15 (49'3")	20 (65'7")
<b>Diameter 10% m</b> (ft in)	0	1.09 (3'7")	2.18 (7'2")	3.27 (10'9")	4.36 (14'4")
<b>Diameter 50% m</b> (ft in)	0	0.47 (1'7")	0.94 (3'1")	1.42 (4'8")	1.89 (6'2")

## Maximum zoom with ovalizer filter (Y axis) - 400 W

lux (fc) 0 317 (29.4) 79 (7.36) 35 (3.27) 20 (1.84)



<b>Distance</b> m (ft in)	0	5 (16'5")	10 (32'10")	15 (49'3")	20 (65'7")
<b>Diameter 10% m</b> (ft in)	0	4.17 (13'8")	8.34 (27'4")	12.52 (41'1")	16.69 (54'9")
<b>Diameter 50% m</b> (ft in)	0	2.12 (6'11")	4.23 (13'11")	6.35 (20'10")	8.46 (27'9")